

# OFM

series

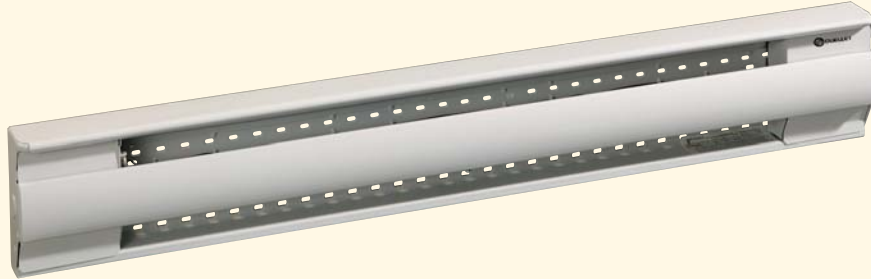
Electric Baseboard Heater

## A distinctive style

The OFM baseboard heater is more compact than any other heater on the market while offering a high level of performance and strength.

Trim lines enhance the appearance of this unique heater. Rounded corners and edges make it safe for toddlers.

In addition, the heater's reduced height eliminates the use of a furring strip at the base of the wall during installation.



kitchen

living room

bedroom

basement

utility room

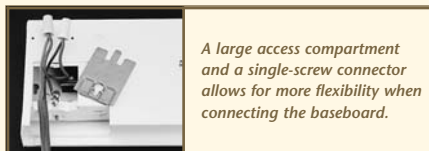


## Features

- Color**
  - Standard: white, almond.
  - Optional and custom colors available upon request.
- Finish**
  - Standard: epoxy/polyester powder paint.
  - May be repainted with any interior paint.
- Voltage**
  - 120V, 208V, 240V/208V, 277V, 347V or 600V, 1-phase.
- Construction**
  - 20-gauge steel connection box.
  - 22-gauge steel body.
  - 20-gauge front panel.
  - Rounded upper corners.
  - Linear high-limit temperature control with automatic reset.
- Heating element**
  - Steel tubular heating element with aluminum fins.
  - Floating heating element on high-temperature nylon bushings, eliminating expansion noises.
- Watt density**
  - Standard watt density of 275W/ft. (900W/m).
  - Low watt density of 200W/ft. (650W/m).
- Controls**
  - A wide selection of built-in thermostats available.
  - Built-in thermostat kit can be installed at either end.
  - Built-in relay kit fits in the right end box only.
  - A low/high voltage separator plate (included with low voltage relay kit) must be added when installing low voltage relay in electric baseboard.
- Installation**
  - Connection box at both ends of the heater.
  - Installation directly on the floor.
  - Single-screw built-in wire holder.
  - Raceway for easier installation.
  - Two rows of mounting holes spaced on 1 in. (25.4 mm) intervals for ease of installation.
  - Variety of accessories available for wall-to-wall installation.
- Warranty**
  - Lifetime warranty on the electric heating element applies to the initial end user;
  - 1-year on the other components.

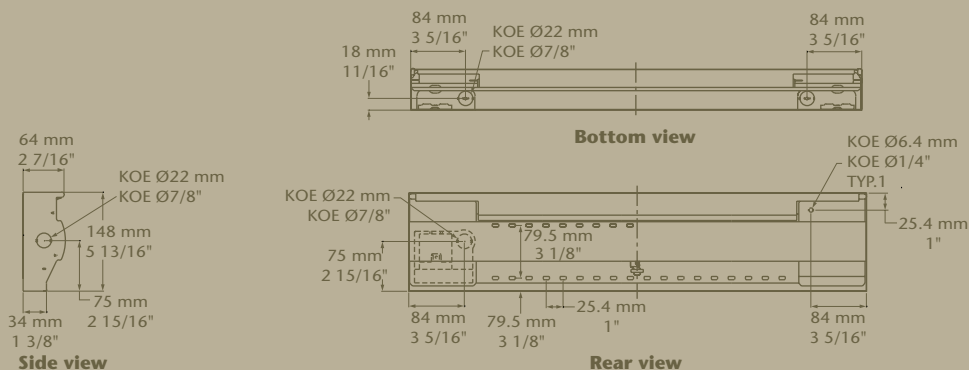


The optional built-in thermostat can be easily installed at either end.



A large access compartment and a single-screw connector allows for more flexibility when connecting the baseboard.

Ouellet highly recommends use of an electronic wall thermostat for greater comfort.



## Standard Models 275W/ft. (900W/m)

Watts	Watts 240V/208V	120V	208V	Product #	240V/208V	277V	Length		Weight	
							in.	mm	lbs	kg
300	300/225	OFM0302	OFM0308	OFM0300	----	----	22 5/16	566	4.5	2.0
500	500/375	OFM0502	OFM0508	OFM0500	OFM0577	OFM0577	27 3/16	691	5.5	2.5
750	750/563	OFM0752	OFM0758	OFM0750	OFM0777	OFM0777	37 3/16	945	7.3	3.3
1000	1000/750	OFM1002	OFM1008	OFM1000	OFM1077	OFM1077	47 1/2	1206	9.0	4.0
1250	1250/938	OFM1252	OFM1258	OFM1250	OFM1277	OFM1277	57	1447	10.5	4.8
1500	1500/1125	OFM1502	OFM1508	OFM1500	OFM1577	OFM1577	65 11/16	1668	12.0	5.5
1750	1750/1313	----	OFM1758	OFM1750	OFM1777	OFM1777	75	1905	13.5	6.2
2000	2000/1500	----	OFM2008	OFM2000	OFM2077	OFM2077	83 13/16	2128	15.0	6.8
*2250	*2250/1688	----	OFM2258	OFM2250	OFM2277	OFM2277	92 5/8	2353	16.5	7.5
*2500	*2500/1875	----	OFM2508	OFM2500	OFM2577	OFM2577	101 13/16	2585	18.0	8.2

## Low Density Models 200W/ft. (650W/m)

Watts	Watts 240V/208V	120V	208V	Product #	240V/208V	277V	Length		Weight	
							in.	mm	lbs	kg
300	300/225	OFM0302-691	OFM0308-691	OFM0300-691	OFM0377-691	OFM0377-691	27 3/16	691	5.5	2.5
500	500/375	OFM0502-945	OFM0508-945	OFM0500-945	OFM0577-945	OFM0577-945	37 3/16	945	7.3	3.3
750	750/563	OFM0752-1206	OFM0758-1206	OFM0750-1206	OFM0777-1206	OFM0777-1206	47 1/2	1206	9.0	4.0
1000	1000/750	OFM1002-1447	OFM1008-1447	OFM1000-1447	OFM1077-1447	OFM1077-1447	57	1447	10.5	4.8
1250	1250/938	OFM1252-1668	OFM1258-1668	OFM1250-1668	OFM1277-1668	OFM1277-1668	65 11/16	1668	12.0	5.5
1500	1500/1125	OFM1502-2128	OFM1508-2128	OFM1500-2128	OFM1577-2128	OFM1577-2128	83 13/16	2128	15.0	6.8
*1750	*1750/1313	----	OFM1758-2353	OFM1750-2353	OFM1777-2353	OFM1777-2353	92 5/8	2353	16.5	7.5
*2000	*2000/1500	----	OFM2008-2585	OFM2000-2585	OFM2077-2585	OFM2077-2585	101 13/16	2585	18.0	8.2
*2250	*2250/1688	----	OFM2258-2585	OFM2250-2585	OFM2277-2585	OFM2277-2585	101 13/16	2585	18.0	8.2

\* These models must be ordered in pairs to reduce shipping damage.

## Accessories

Product #	Description
OFM-CI	Corners (inside and outside)
OFM-JT	Splice plate 3 9/16 in. (90 mm)
OFM-PEINT	Brush paint "AM", "BL" 1/2 ounce (15 ml)
OFM-PEINTA	Spray paint "AM", "BL" 6 ounces (128 g)
OFM-SR	Baseboard section (6 in., 152 mm) for the installation of a 24V relay
OFM-240-SPLITTER	Baseboard section (6 in., 152 mm) - 240V splitter box to connect an air conditioner permanently (20A switch, double-pole, double-throw)
OFM-RO2	Baseboard section (6 in., 152 mm) - 240V splitter box toward a surface-mount, 6-20R receptacle (20A switch, double-pole, double-throw)
OFM-RO2B	Baseboard section (6 in., 152 mm) - CW 6-20R receptacle - 240V
OFM-RO1	Baseboard section (6 in., 152 mm) - CW 5-15R receptacle - 120V, 15A

## Control Options

Product #	Description	
OFM-TB1 (1-3)	Single-pole bi-metal thermostat	120V, 208V, 240V, 277V/17A
OFM-TB1-AV (1-3)	Single-pole bi-metal thermostat, tamperproof	120V, 208V, 240V, 277V/17A
OFM-TB2 (1-2)	Double-pole bi-metal thermostat	120V, 208V, 240V, 277V/17A
OFM-TB6 (1-3)	Single-pole bi-metal thermostat	120V, 208V, 240V, 277V/17A
OFM-TB26 (1-2)	Double-pole bi-metal thermostat	120V, 208V, 240V, 277V/17A
OFM-RT-120	24V relay with transformer	120V/25A
OFM-RT-208	24V relay with transformer	208V/22A
OFM-RT-240	24V relay with transformer	240V/22A
OFM-RT-277	24V relay with transformer	277V/19A
OFM-R	24V relay without transformer	240V/22A, 277V/19A
OFM-TRIAC-100 (4)	Triac 277V max., 10A max. or 2500W max.	
OFM-TRIAC-400 (4)	Triac 400V max., 2500W max.	
OFM-TRIAC-600 (4)	Triac 600V and 480V, 2500W max.	
OFM-DIS20 (4)	Disconnect switch 250V max., double-pole, 20A	
OFM-DIS40 (4)	Disconnect switch 600V max., three-pole, 40A	

Add "BL" for white, "AM" for almond.

1) Setting range: 40 °F to 100 °F 2) "Off" position 3) Thermostat contact will remain open down to -31 °F when set at its minimum 4) Factory installed